


# XC

## POOL AND SPA CARTRIDGE FILTER

The XC series single cartridge filters are environmentally friendly with a unique cyclonic filtration technology specifically designed for the Australian swimming pool industry. With no backwash required, the XC series filters are ideal for all spas and swimming pools where space is a premium or when waste water disposal or water restrictions are in force. The XC range single cartridge filters effortlessly achieve remarkable water filtration and clarity using pleated trilobal element filtration.

-   
CYCLONIC FILTRATION
-   
ENVIRONMENTALLY FRIENDLY
-   
HEALTH & WELLBEING
-   
AUSTRALIAN DESIGNED & MADE



### Eco Conscious

No backwashing to save thousands of litres of water every year.





## CRYSTAL CLEAR WATER

Compared to a traditional sand media filter that can filter down to 20-30 microns, the XC series single element filters achieve remarkable filtration and water clarity, capable of filtering down to 10-20 microns, which is twice as much as fine filtration.

## CYCLONIC FILTRATION

All XC series single cartridge filters come with the patented Cyclonic Filtration Technology that pushes the debris towards the walls of the filter and helps clear contaminants quicker, avoiding clogging of the filter element. This in-turn reduces pressure on the water pump leading to increased energy savings.

## WATER EFFICIENCY

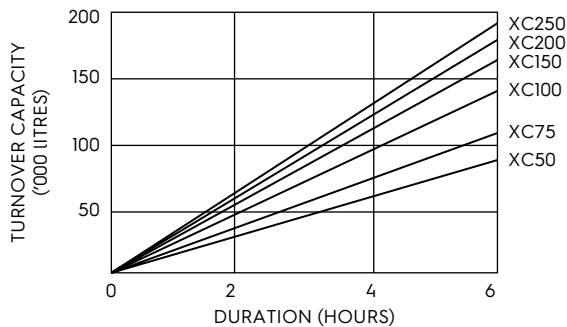
The XC series cartridge filters efficiently saves thousands of litres of water every year. It takes just 100 litres\* of water annually to clean a XC filter element, instead of backwashing thousands of litres to clean a traditional sand media filter, making it easier than ever to be more responsible with water.

## DURABLE CONSTRUCTION

Single injection moulded body and lid made from glass filled polypropylene provides superior mechanical and chemical properties, making the product durable and long lasting.

## WHICH XC FILTER IS BEST SUITED FOR YOUR POOL

The below graph shows a single turnover of your pool in hours (X-axis) corresponding to your individual pool volume (Y-axis). This is at maximum flow rate of each XC filter.



## EASY MAINTAINANCE

The XC cartridge filter's cyclonic filtration design reduces overall maintenance of the filter by avoiding clogging of the filter element. The easy-to-use double threaded central locking ring with specifically engineered materials make it extremely easy to remove and replace filter elements. The premium quality oil filled pressure gauge clearly indicates when it is time to clean the filter element with a rise in pressure above 20 kPa.

## WARRANTY

For product warranty registration & information on warranty details:

For AU visit: [www.astralpool.com.au/warranty](http://www.astralpool.com.au/warranty)

For NZ visit: [www.astralpool.co.nz/warranty](http://www.astralpool.co.nz/warranty)

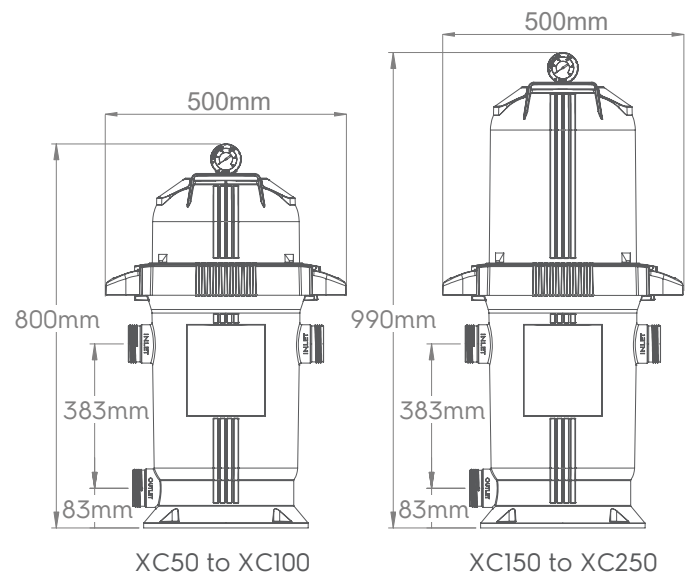
AUS



NZ



## DIMENSIONS



\*Based on an average time of 1.5 minutes to clean the cartridge with a standard yard hose.

## SPECIFICATIONS

FILTER MODEL	MODEL NO.	REPLACEMENT ELEMENT CODE	FILTER AREA (M <sup>2</sup> )	MAX. FLOW RATE (L/MIN)	MAX. FLOW RATE (L/HR)	4 HR TURN OVER (L)	6 HR TURN OVER (L)	MAX. WORKING PRESSURE (KPA)	PUMP SIZE (W)	SHIPPING WEIGHT (KG)
XC50	30040	SP78020	4.7	225	13,500	54,000	81,000	250	550-750	13.6
XC75	30041	SP78021	7.0	290	17,400	69,600	104,400	250	550-1100	14.2
XC100	30042	SP78097	9.3	375	22,500	90,000	135,000	250	750-1100	14.4
XC150	30043	SP78059	14.0	445	26,700	106,800	160,200	250	750-1500	16.6
XC200	30044	SP78099	18.6	490	29,400	117,600	176,400	250	750-1500	17.0
XC250	30045	SP78094	23.2	515	30,900	123,600	185,400	250	750-1500	17.5